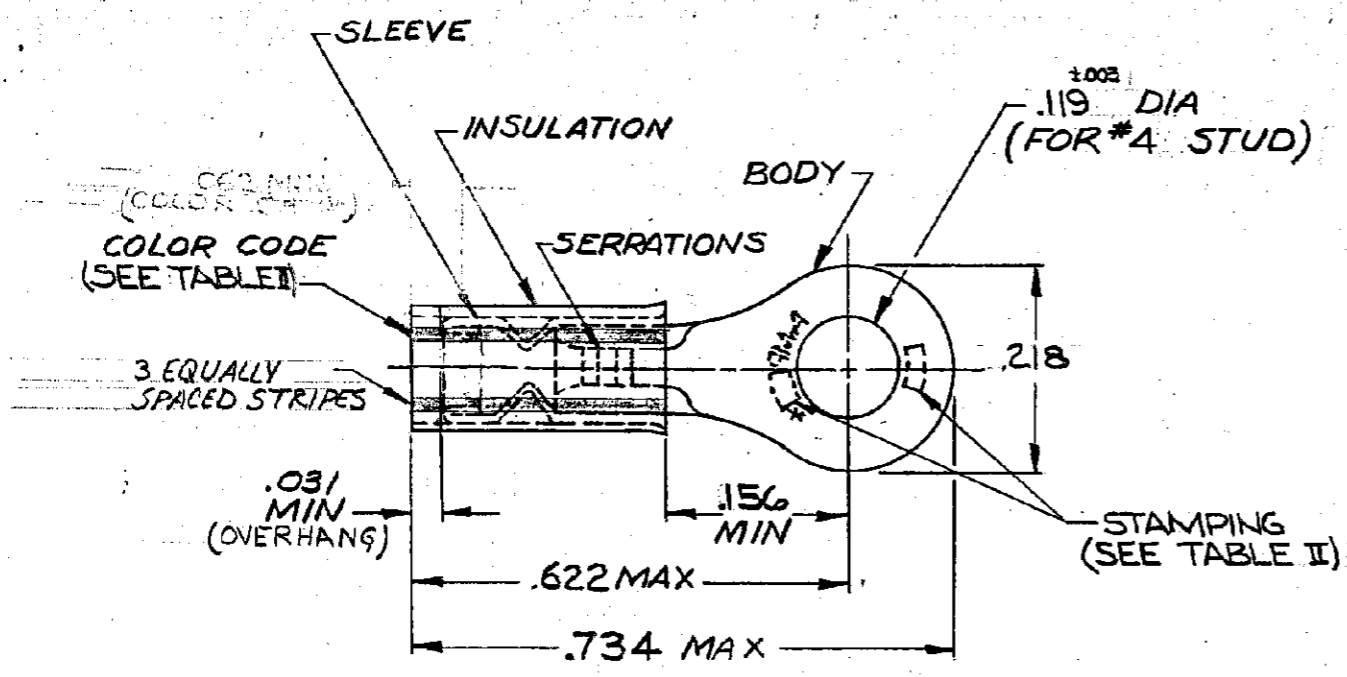


© 1969 BY AMP INCORPORATED, ALL RIGHTS RESERVED. AMP PRODUCTS COVERED BY PATENTS AND/OR PATENTS PENDING.

UNPUBLISHED COPY NOT TO BE REPRODUCED NOR PUBLISHED WITHOUT WRITTEN PERMISSION OF AMP INCORPORATED.



TONGUE MATERIAL THK. = .031 FOR #4 WIRE INS DIA

REVISIONS				
ZONE	LETTER	DESCRIPTION	DATE	APPROVED
	O	NPS 69-0454, 0455 & 0456	9-12-69	FCY
	A	REVISED PC-5569	12-18-69	FCY
	B	REVISED B-630	1-5-70	FCY
	C	ADDED TAPE NO. 52273-3	1-19-70	FCY
	D	ADDED TAPE NO. 52273-4	6-15-70	FCY
	E	ADDED TAPE NO. 52273-5	10-28-70	9me
	F	ADDED .062 MIN. COLOR BAND-67322-4	5-3-76	5-3-76
	G	REV. PER PC-B592	3-19-80	49M
	H	REV. PER PC-8820	12/22/80	49M
	J	INACTIVATED -3 PER P-9273	12-17-82	49M
	K	OBSOLETE REV. G 2588	10-9-87	PmF
	L	REV./0720-0043-93	3-16-93	ml
	M	REV PER 063A-0801-00	11/DEC/00	DR/TM

TABLE I

QTY.	DESCRIPTION	PART NO.	MATERIAL & FINISH
100	LOOSE PC, BOX	9-52273-1	
100	LOOSE PC, BOX	8-52273-1	
100	LOOSE PC, BOX	7-52273-1	
1	WIRE TERMINAL INSULATION RESTRICTING	SEE TABLE II	BODY: COPPER (QQ-C-576) TIN PL (MIL-T-10727) SLEEVE: COPPER (QQ-C-576) TIN PL (MIL-T-10727) INSULATION: NYLON (MIL-M-20693) TYPE I, COLOR: RED

UNLESS OTHERWISE SPECIFIED DIMENSIONS ARE IN INCHES TOLERANCES ON DECIMALS ANGLES	CONTRACT NO. #	AMP INCORPORATED HARRISBURG, PENNSYLVANIA
MATERIAL	DR. G. Epler 9-11-69	
	CHK. R.C. 9-12-69	
	APRD. Swibel 9-15-69	
SEE TABLE I	9-24-69 NAME: WIRE TERMINAL PIDG-RING TONGUE INSULATION RESTRICTING	
	SIZE: B CODE IDENT. NO.: 00779 NUMBER: 52273 SCALE: NTS SHEET: 1 OF 1	

TABLE II

PART NO.	COLOR CODE	WIRE SIZE	"C"	"D"	WIRE STAMPING	PART NO. ON TAPE
9-52273-1	WHITE	18	.056	.110	18	
8-52273-1	RED	20	.046	.110	20	
7-52273-1	GREEN	22	.038	.110	22	
52273-2	WHITE	18	.056	.110	18	52273-5 OBS.
52273-1	RED	20	.046	.110	20	52273-3 OBS.
52273	GREEN	22	.038	.110	22	52273-4 OBS.